

Electronic Billet Control Instructions

For Part #'s 45-0114A - 45-0114B - 45-0115A - 45-0115B

8744 Forum Way, Fort Worth, TX 76140
(817) 531-2665 or FAX 531-3257

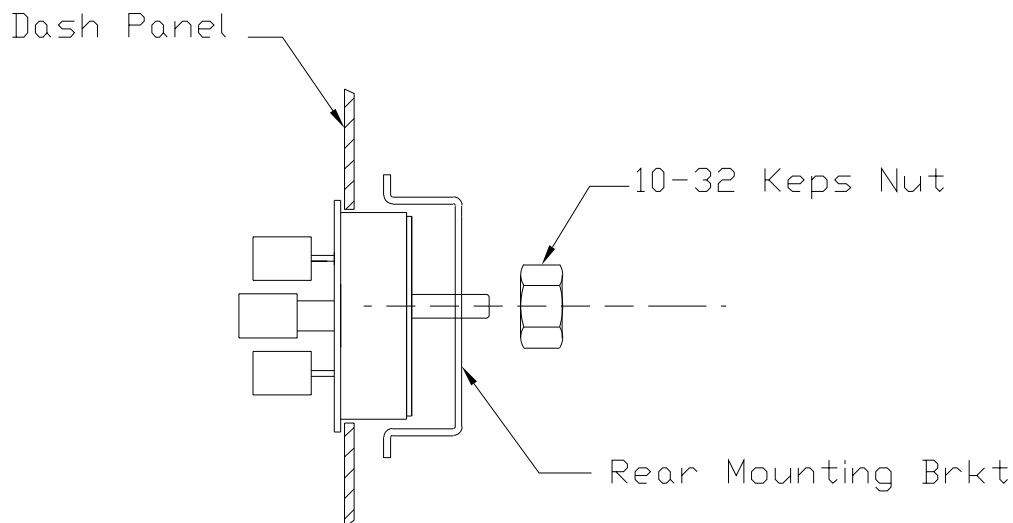
PREPARATION FOR INSTALLATION

- 1) Select area of dash to install control head.
- 2) Check for proper clearance behind dash and move (wires,cables,ect....) any objects that will interfere with installation of control head.

INSTALLATION OF ELECTRIC BILLET CONTROL HEAD

- 1) Draw a 1-13/16 x 4-5/16 rectangle in area where you want the control head to mount.
- 2) Cut hole in dash to install control head. **(CAUTION: DO NOT CUT HOLE ANY LARGER THAN GIVEN DIMENSIONS)**
- 3) Carefully install control head into dash and attach rear bracket. Check to make sure that when applying the rear mounting bracket that none of the wires are dislodged or pinched between the rear bracket and the control head. Secure rear mounting bracket with (2) 10-32 keps nuts.
- 4) Connect the (2) black master control boxes labeled heater valve and dash-defrost to three way connectors coming from control head (Make sure master control boxes are connected to proper switches on control head which can be verified from decal logo on control head).
- 5) Locate area where control can be nested and Velcro in place. Make sure that there is slack in the wires coming from the control head.
- 6) Connect A/C switch to mating 3 way connector.
- 7) Connect blower switch.
- 8) Connect black and red wires from A/C harness to servo motor wire harness.

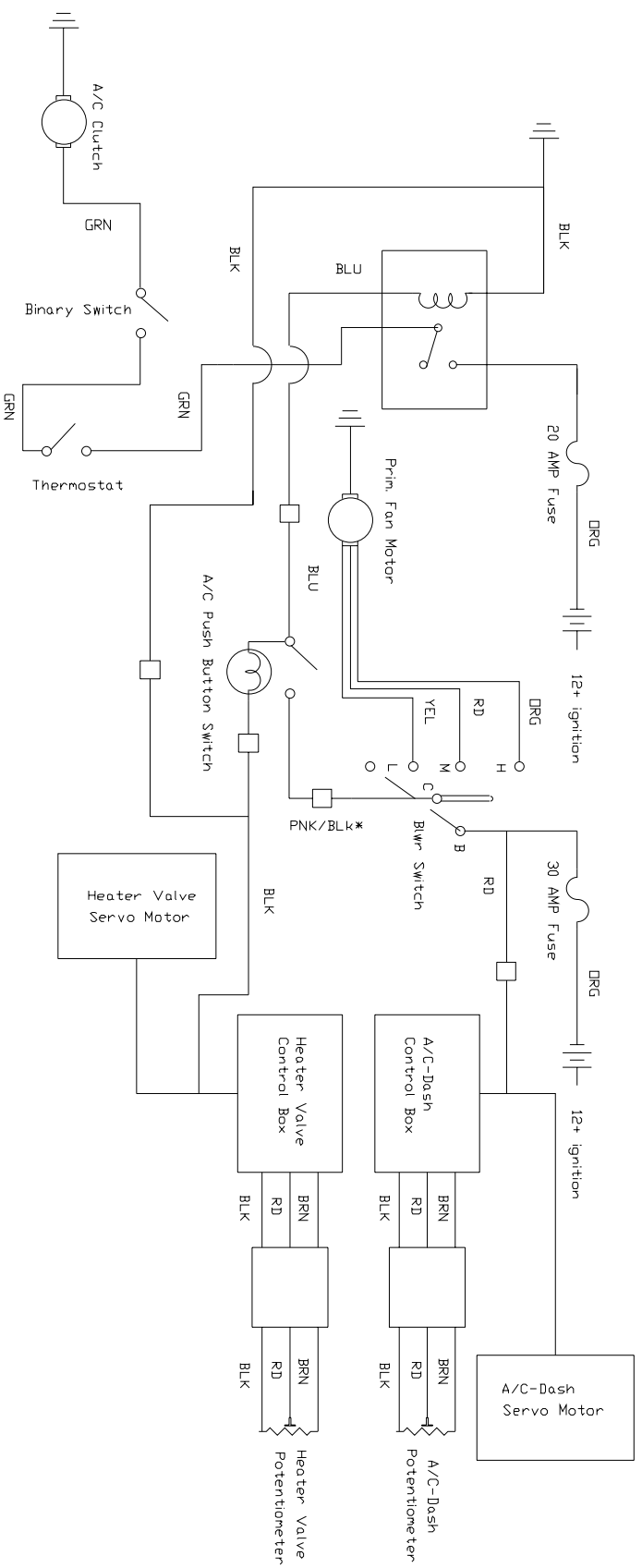
Installation of Electric billet control should now be complete. Refer to main installation instructions provided in master kit to complete installation.



4-27-05
71-45-0114

Electronic Billet Control Wiring Schematic

For Part #'s 45-0114A - 45-0114B - 45-0115A - 45-0115B



8744 Forum Way, Fort Worth, TX 76140
(817) 531-2665 or FAX 531-3257