

IP-166HD

HEATER w/DEFROST

CABLE OPERATED

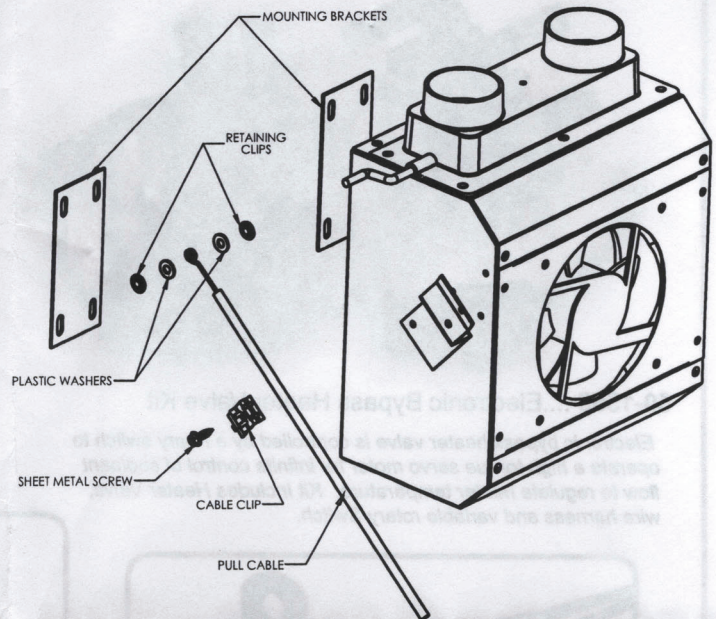
OLD AIR Cooling the Classics
PRODUCTS

Division of Gold Air Products Inc.

1201 Forum Way South, Fort Worth, TX 76140
(817) 531-2665 or FAX 531-3257

UNIT INSTALLATION

- 1) Read the instructions thoroughly before beginning.
- 2) Attach mounting brackets to back of heater unit.
- 3) Position Heater to determine if there is enough clearance and adequate mounting surface.
- 4) Locate engine cooling source and return connections. Choose routing path for the two heater hoses so they will not be damaged by sharp edges, rough surfaces or other moving parts.
- 5) Mark and drill mounting locations for the unit and heater hoses to pass through firewall.
- 6) Mount unit to firewall.
- 7) Insert cable through dash or mounting bracket and secure to dash. Attach cable to defrost lever and adjust as necessary.
- 8)) Install Defrost outlets or dash louvers and route duct hose from unit to the louvers or defrost outlets. (Duct hose, defrost outlets or dash louvers not included with heater.)



COOLANT CONNECTIONS

- 9) Drain cooling system on vehicle.
- 10) Route 5/8" Heater Hoses from source (usually located on Intake Manifold) to Lower inlet tube on unit, Then from Return (usually located on water pump or radiator) to the top outlet tube on unit.

Tip: Install an optional Bypass Heater Valve #25-1018 into the heater hoses to control the outlet temperature of the unit.

- 11) Refill coolant system.

ELECTRICAL CONNECTIONS

- 12) Connect Black wire from heater unit to ground (-)
- 13) Connect Red wire from unit to blower switch and second terminal on blower switch to a 5 amp fused 12V+ power source.

